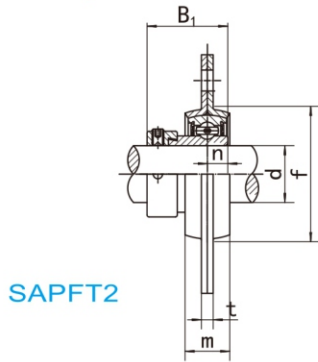
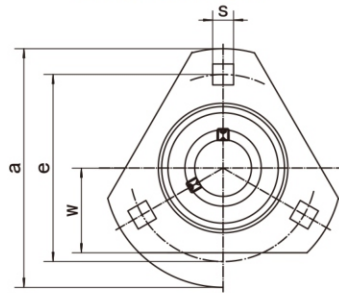


SAPFT2
(SA2-Fitted)

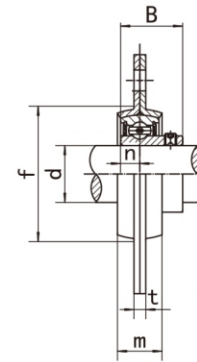


SAPFT2

Pressed Housing Flange Units
(Light duty)



SBPFT2
(SB2-Fitted)



SBPFT2

Unit NO.	Dimensions (mm / in.)										Bolt Size mm/in.	Bearing No.	Housing No.	Weight (kg)						
	d	a	e	b	m	S	t	f (min)	B ₁	n										
SAPFT 201 201-8	12 1/2	81	63.5	28.5	14	7.1	4	49	28.6	6.5	M6	SA201	PFT204	0.26						
SAPFT 202 202-9 202-10	15 9/16 5/8										1-1/8	9/32			0.157	1-59/64	1.1260	0.2559	1/4	SA202
SAPFT 203 203-11	17 11/16										SA203									
SAPFT 204 204-12	20 3/4	90 3-35/64	71.5 2-13/16	33 1-19/64	16 5/8	9 23/64	4 0.157	56 2-13/64	31 1.2204	7.5 0.2953	M8 5/16	SA204	PFT204	0.28						
SAPFT 205 205-13 205-14 205-15 205-16	25 13/16 7/8 15/16 1	95 3-3/4	76 2-63/64	35 1-3/8	18 23/32	9 23/64	4 0.157	60 2-23/64	31 1.2204	7.5 0.2953	M8 5/16	SA205	PFT205	0.32						
SAPFT 206 206-17 206-18 206-19 206-20	30 1-1/16 1-1/8 1-3/16 1-1/4	113 4-7/16	90.5 3-9/16	40 1-37/64	18 23/32	11 7/16	5.2 0.205	71 2-51/64	35.7 1.4055	9 0.3543	M10 3/8	SA206	PFT206	0.50						
SAPFT 207 207-20 207-21 207-22 207-23	35 1-1/4 1-5/16 1-3/8 1-7/16	122 4-13/16	100 3-15/16	44.5 1-3/4	20 25/32	11 7/16	5.2 0.205	81 3-3/16	38.9 1.5315	9.5 0.3740	M10 3/8	SA207	PFT207	1.07						

Unit NO.	Dimensions (mm / in.)										Bolt Size mm/in.	Bearing No.	Housing No.	Weight (kg)		
	d	a	e	b	m	S	t	f (min)	B	n						
SBPFT 201 201-8	12 1/2	81	63.5	28.5	14	7.1	4	49	22	6	M6	SB201	PFT204	0.23		
SBPFT 202 202-9 202-10	15 9/16 5/8										0.8661	0.2362			1/4	SB202
SBPFT 203 203-11	17 11/16										SB203					
SBPFT 204 204-12	20 3/4	90 3-35/64	71.5 2-13/16	33 1-19/64	16 5/8	9 23/64	4 0.157	56 2-13/64	25 0.9843	7 0.2756	M8 5/16	SB204	PFT204	0.24		
SBPFT 205 205-13 205-14 205-15 205-16	25 13/16 7/8 15/16 1	95 3-3/4	76 2-63/64	35 1-3/8	18 23/32	9 23/64	4 0.157	60 2-23/64	27 1.0630	7.5 0.2953	M8 5/16	SB205	PFT205	0.28		
SBPFT 206 206-17 206-18 206-19 206-20	30 1-1/16 1-1/8 1-3/16 1-1/4	113 4-7/16	90.5 3-9/16	40 1-37/64	18 23/32	11 7/16	5.2 0.205	71 2-51/64	30 1.1811	8 0.3150	M10 3/8	SB206	PFT206	0.44		
SBPFT 207 207-20 207-21 207-22 207-23	35 1-1/4 1-5/16 1-3/8 1-7/16	122 4-13/16	100 3-15/16	44.5 1-3/4	20 25/32	11 7/16	5.2 0.205	81 3-3/16	32 1.2598	8.5 0.3346	M10 3/8	SB207	PFT207	0.58		